

Flying Toekicks™ Brand Attached Toe Kick System

U.S. Patent No. 10190346

Models 20 and 30 Installation Instructions

The Flying Toekicks™ Model 20 is for toe kick set-backs ranging from 2" to 2-5/8". The Model 30 set-back range is from 2-5/8" to 3-5/16". The set-back distance is measured from the BACK of the cabinet door to the FACE of the toe kick. This range will vary somewhat if the toe kick is not 3/4" thick.

Fig. 1 shows a standard installation with an OVERLAY toe kick which is the same width as the cabinet door. The toe kick is mounted to the cabinet using the same type hinge which is used to mount the door to the cabinet. The top edge of the toe kick should be 1/8" lower than the bottom of the door and 1/2" floor clearance under the kick is recommended but not required.

For INSET toe kick applications, please see FIG. 3.

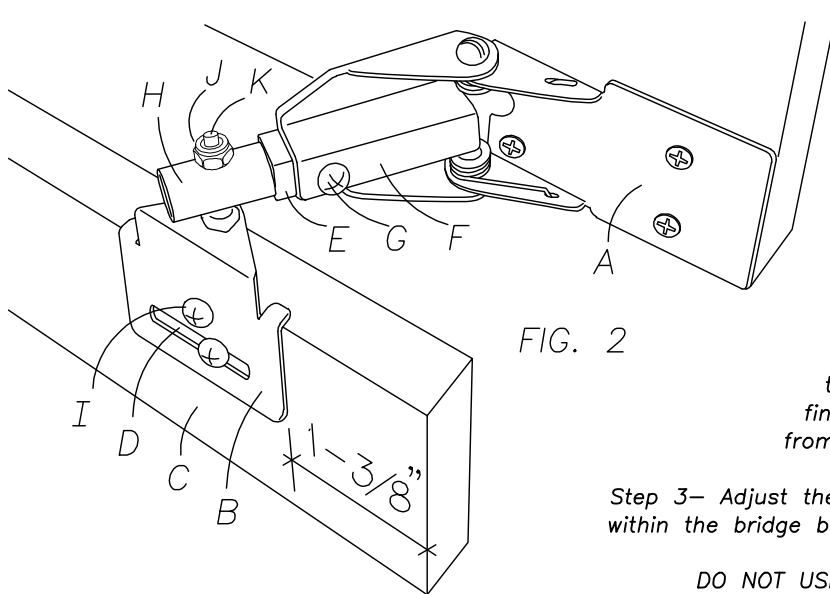


FIG. 2

FIG. 1

STANDARD INSTALLATION FOR OVERLAY TOE KICKS
PLEASE REFER TO FIG. 2

Step 1- The BASE PLATE(A) is aligned flush to the bottom, free-swinging corner of the cabinet door and attached using the included 5mm x 9/16" screws or other suitable fasteners of your choosing.

Step 2- Position the BRACKET(B) on the back of the TOE KICK(C) approximately 1-3/8" away from the free-swinging end. Then drive a #8x5/8" screw into the kick through the SLOT(D) in the bracket. You may find this easier if you temporarily remove the BRIDGE TUBE(E) from the BRIDGE BARREL(F) by loosening the SET SCREW(G).

Step 3- Adjust the toe kick set-back distance by positioning the bridge tube within the bridge barrel as necessary and then carefully tighten the set screw.

DO NOT USE A POWERED SCREWDRIVER ON THE SET SCREW!

Step 4- Take a few minutes to experiment with the hardware by sliding the bracket to different positions, left and right, to see how these changes affect the operation of the door and toe kick. This will help you understand how to get the bracket adjusted properly. If the BRIDGE PIN(H) extends to its maximum before the door can be opened fully, then the bracket should be moved closer to the free-swinging end of the toe kick.

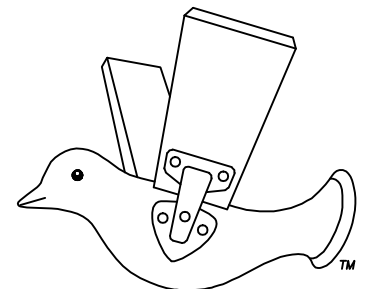
Even small changes in the position of the bracket can have a big effect on the operation of the door and hardware. If you experience a problem please check the position of the bracket and adjust as required.

Step 5- Once the final position of bracket has been established, drive another #8x5/8" screw through the SET HOLE(I) in the bracket.

Step 6- Set the height of the toe kick by adjusting the position of the LOCK NUT(J) on the BRACKET PIN(K).

FIG. 3

For applications where the width of the toe kick is LESS than the width of the door, such as with INSET toe kicks, the bracket may have to be set much closer to the free-swinging end of the toe kick. In some unusual applications, it may be nearly FLUSH to that end.



flyingtoekicks.com

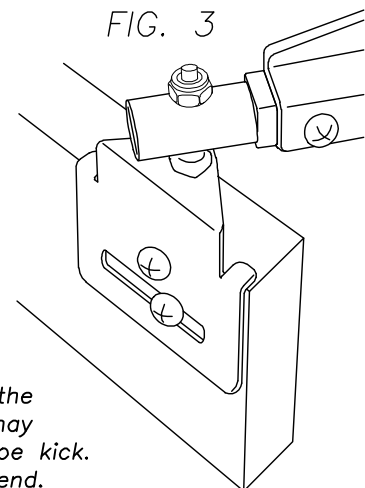


FIG. 3