



# Flying Toekicks™ Brand Attached Toe Kick System

U.S. Patent No. 10190346

## Models 20 and 30 Specifications

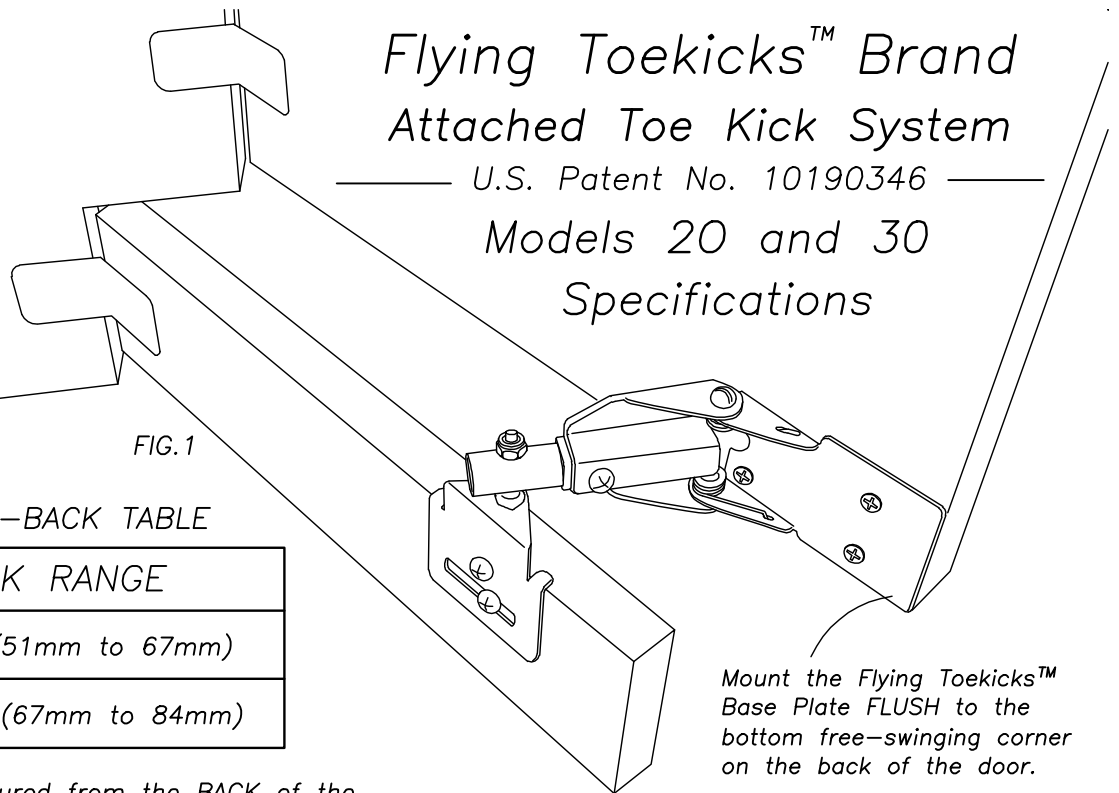


FIG. 1

### FLYING TOEKICKS™ SET-BACK TABLE

	SET-BACK RANGE
Model 20	2" to 2 <sup>5</sup> / <sub>8</sub> " (51mm to 67mm)
Model 30	2 <sup>5</sup> / <sub>8</sub> " to 3 <sup>5</sup> / <sub>16</sub> " (67mm to 84mm)

Mount the Flying Toekicks™  
Base Plate FLUSH to the  
bottom free-swinging corner  
on the back of the door.

The SET-BACK distance is measured from the BACK of the cabinet door to the FACE of the toe kick plate. These ranges are based on a toe kick plate thickness of approximately 3/4" and will vary somewhat if the plate is not 3/4" thick. The Model 20 and Model 30 can be very easily converted back and forth, from one to the other, if required. To do this conversion, please see the "Conversion Video" in the "Learn More"/"Video Gallery" at [flyingtoekicks.com](http://flyingtoekicks.com)

The Flying Toekicks™ system may be used with virtually any type of cabinetry hinge and is optimized for use with 120°, concealed, euro-style hinges. Use on cabinets as narrow as 10" wide with either inset or overlay doors.

The Flying Toekicks™ system device can be used equally on either left-hand or right-hand applications.

Fig. 1 shows a standard installation with an overlay toe kick plate being of the same width as the cabinet door. The toe kick plate is attached to the cabinet using the same type of hinge which is used to attach the door to the cabinet. The top edge of the toe kick plate must be 1/8" lower than the bottom edge of the door and the bottom of the toe kick plate is 1/2" above the floor. (1/2" floor clearance is suggested but not required.)

For attaching the Base Plate, the cabinet door may be pre-drilled according to the drilling pattern shown in Fig. 2. Pre-drill to a depth of 5/8" using either a 5mm or 3/16" drill bit to receive the included 5mm x 9/16" euro-type, coarse-thread screws. Other types of screws may be used at the installer's discretion.

4- 5mm x 9/16" flat head, phillips drive, varianta screws included

2- #8 x 5/8" pan head, phillips-drive, wood screws included

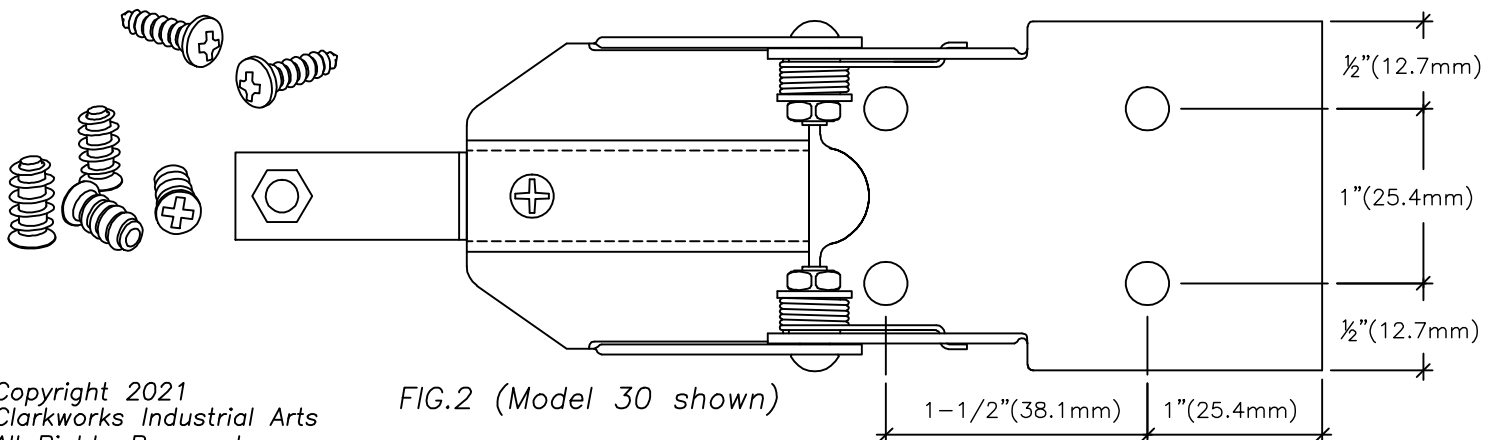


FIG. 2 (Model 30 shown)